






<b>SIRUBA</b> GAGE PARTS LIST	Series	Remark	Page	Date
	<b>DL7000</b>	<b>NM1/NH1</b>	1/1	2019/01/01

DL7000-NM1/NH1規格件表 CONVERSION CHART

P1

											
MODEL	SUB-CLASS	OPERATING PANEL	NEEDLE PLATE	FEED DOG	PRESSER FOOT	HOOK ASM	BOBBIN CASE ASM	BOBBIN	NEEDLE	HAND WHEEL	MOTOR
機 型	規 格	操作盒	針 板	送 具	押 具	梭 頭	梭 殼	梭 子	針 號	手 輪	馬 達
DL7000-NM1-10 ~ DL7000-NM1-13	薄中布 薄中布 <sup>2</sup>	LU280-A	E706	D704	P708	G121	G202	G303	DBX1#14	LH500-E	T50D8S11
DL7000-NH1-10 ~ DL7000-NH1-13	厚布料		E707	D714	P714	G124	G202	G303	DBX1#21		

# SIRUBA

MODEL COMPARE LIST

Series

L918/L918U/DL918/DL7000

Remark

NM1/NH1

Page

1 / 3

Date

2013/06/10

## L918/L918U/DL918/DL7000 型別件表

MODEL	SUB-CLASS	SPRING	SPRING	ECCENTRIC	THREAD GUIDE	NEEDLE BAR	FIXED PIN	ADJUSTING KNOB	HOOK FIXER
機 型	規 格	控線彈簧	控線彈簧	偏心凸輪	擋環片	針 棒	固 定 銷	調 整 旋 鈕	旋 梭 定 位 板
NM1	薄布料 ~ 中厚料	LA31	LA22	LN38	A LA17	LN37	LC13	LC23G	LE14D
					B SK613				
NH1	中厚料 ~ 厚布料	LA131	LA122	LN63	A LA150	LN62	LC613	LC623G	LE614D
					B SK689				

SIRUBA MODEL COMPARE LIST	Series	Remark	Page	Date
	L918/L918U/DL918/DL7000	NM1/NH1	2 / 3	2019/01/01

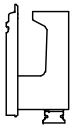






L918/L918U/DL918/DL7000 型別件表

MODEL	SUB-CLASS	SOLENOID BRACKET	PRESSER PLATE	FIXED PLATE	FIXED PLATE	CONNECTING ROD	CONNECTING ROD	MOVABLE KNIFE	MOVABLE KNIFE
機 型	規 格	電磁機座	押板	固定刀	固定片	連桿	連桿	活動刀	活動刀
NM1	薄布料 ~ 中厚料	LU26	LU04	LU05	LU28	A LU15	—	A LU02	—
						B SK662		B SK660	
						C EM050			
						D SK664			
NH1	中厚料 ~ 厚布料	LU626	LU604	LU605	LU628	—	A LU615	A LU602	B SK683
							B SK677		
							C NK26/MM402		
							D SK682		

**SIRUBA**  
MODEL COMPARE LIST

Series	Remark	Page	Date
L918/L918U/DL918/DL7000	NM1/NH1	9/3	2019/01/01

L918/L918U/DL918/DL7000 型別件表

						
MODEL	SUB-CLASS	MOVABLE KNIFE CONNECTING ROD	MOVABLE KNIFE CONNECTING ROD	PRESSER PLATE	MOVABLE KNIFE	TRIMMER SOLENOID
機 型	規 格	活動刀連桿	活動刀連桿	刀座	轉子連桿	切線電磁閥
NM1	薄布料 ~ 中厚料	LU01	—	LU03	LU18	LU25
NH1	中厚料 ~ 厚布料	—	LU601	LU603	LU618	LU625

**SIRUBA**

PARTS LIST

Series

DL7000-NM1/NH1

Parts Group

**LA**

Subclass / Remark

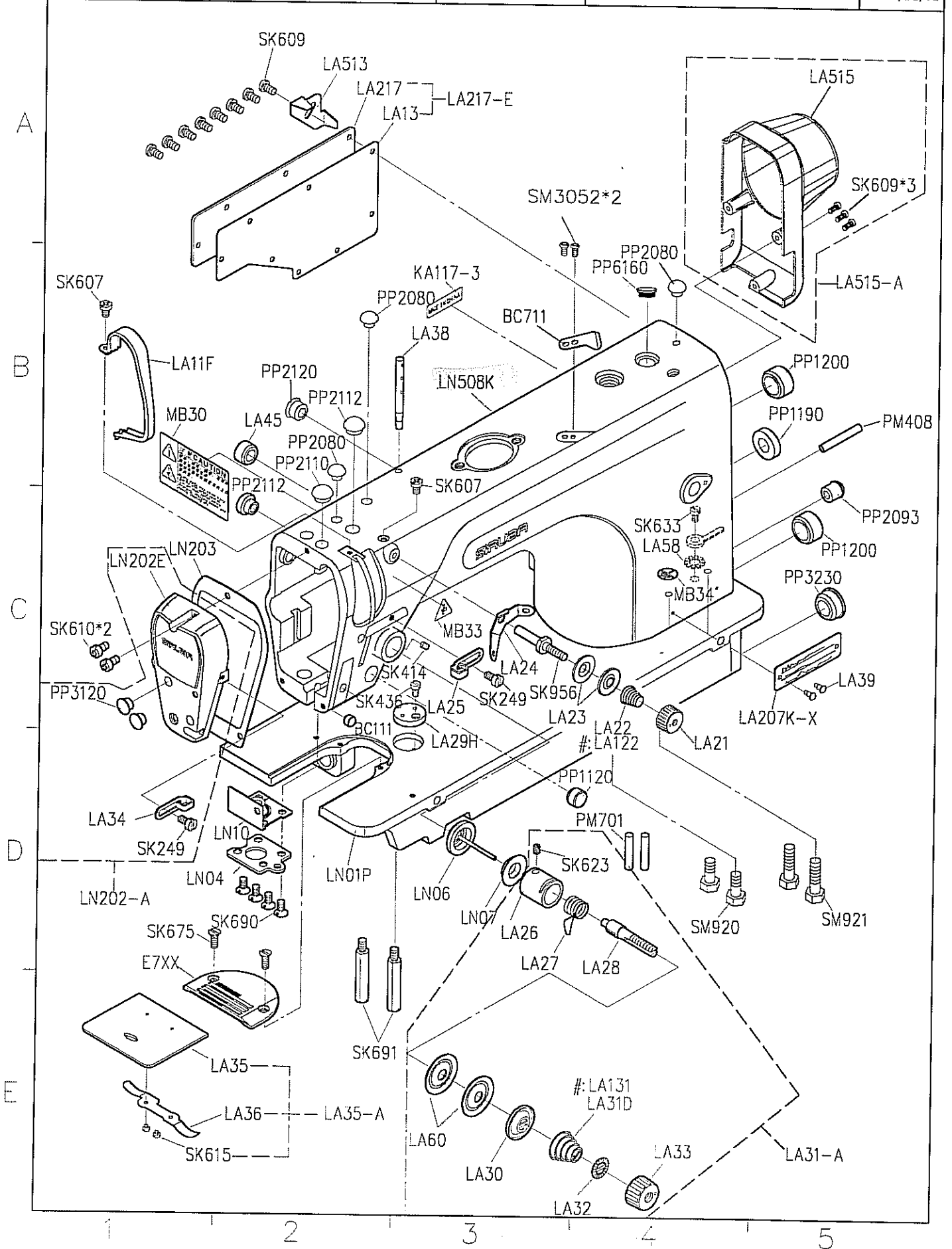
#:Use for NH1

Page

1/2

Date

2013/08/19



**SIRUBA**

PARTS LIST

Series

DL7000-NM1/NH1

Parts Group

**LA**

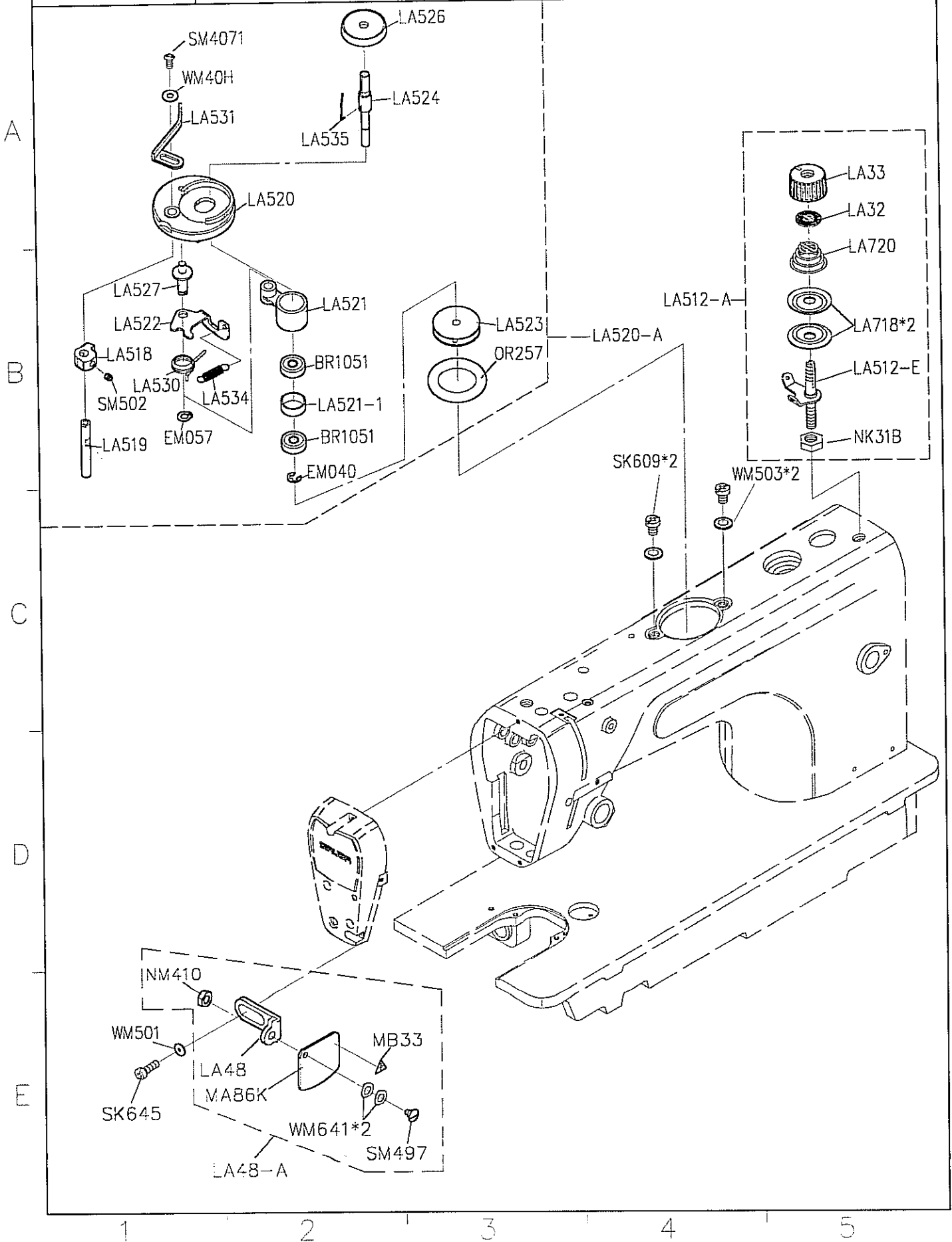
Subclass / Remark

Page

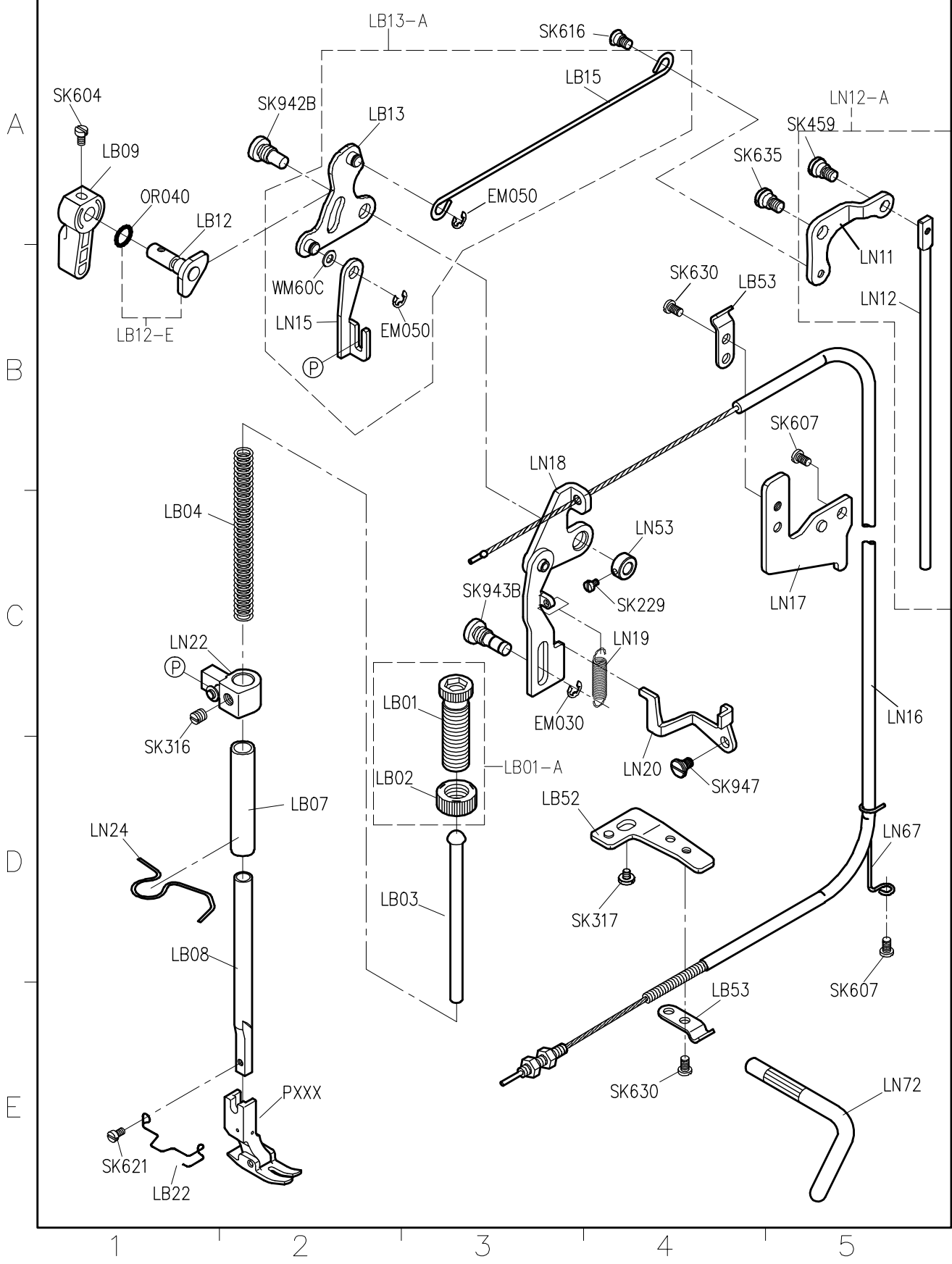
2/2

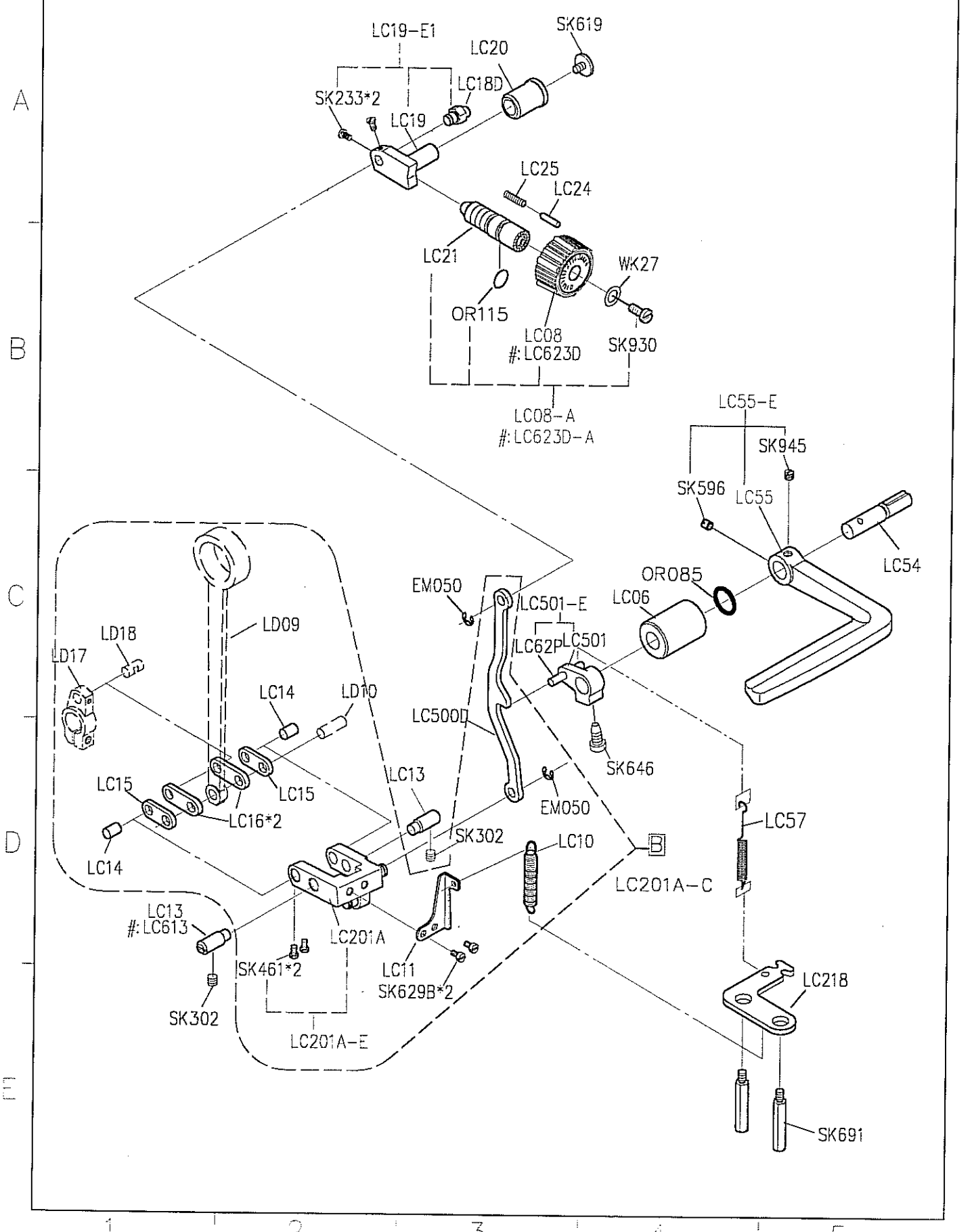
Date

2013/07/27



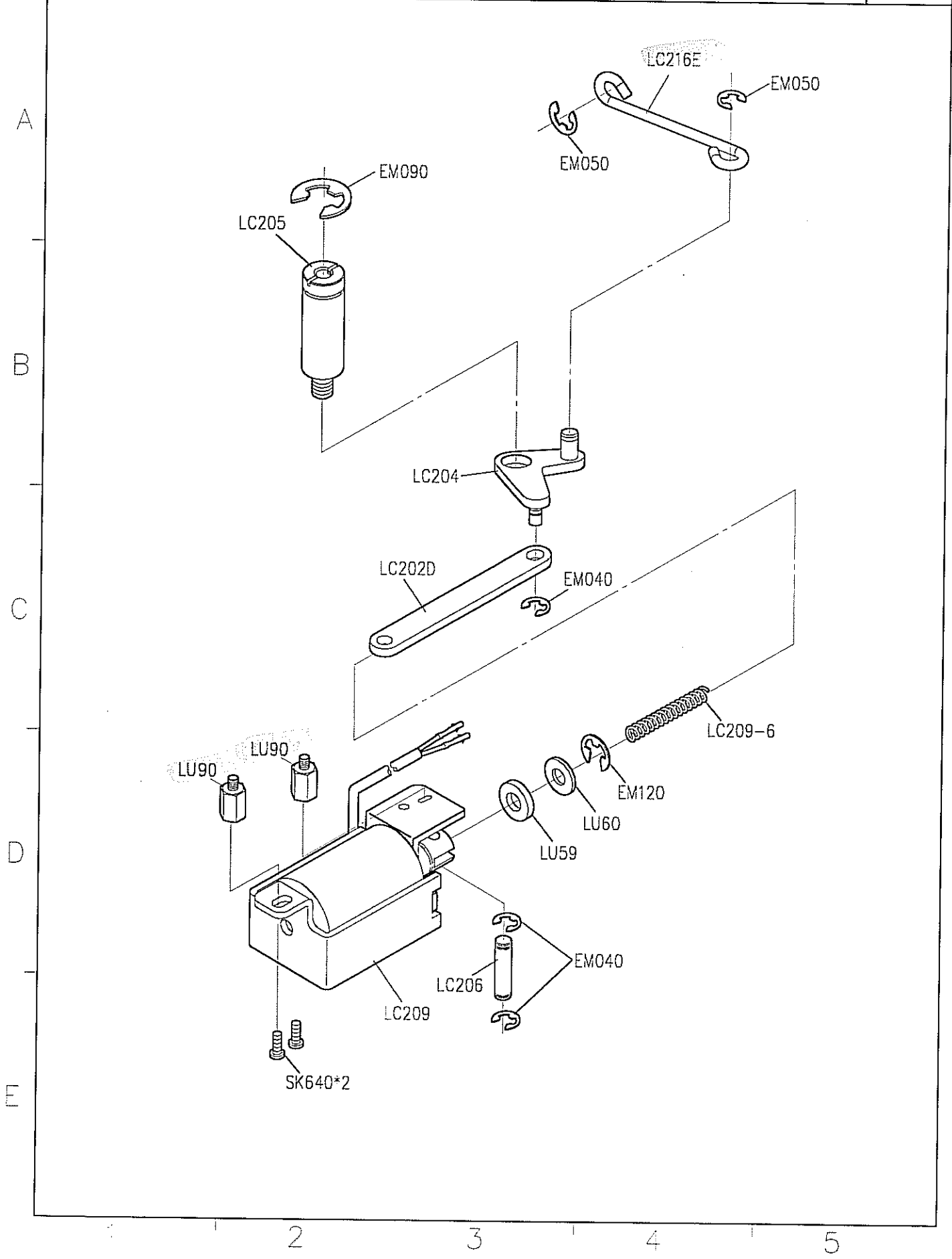
<b>SIRUBA</b> <b>PARTS LIST</b>	<b>Series</b>	<b>Parts Group</b>	<b>Subclass / Remark</b>	<b>Page</b>
	DL7000-NM1/NH1	<b>LB</b>		1/1
				<b>Date</b>
				2013/01/01



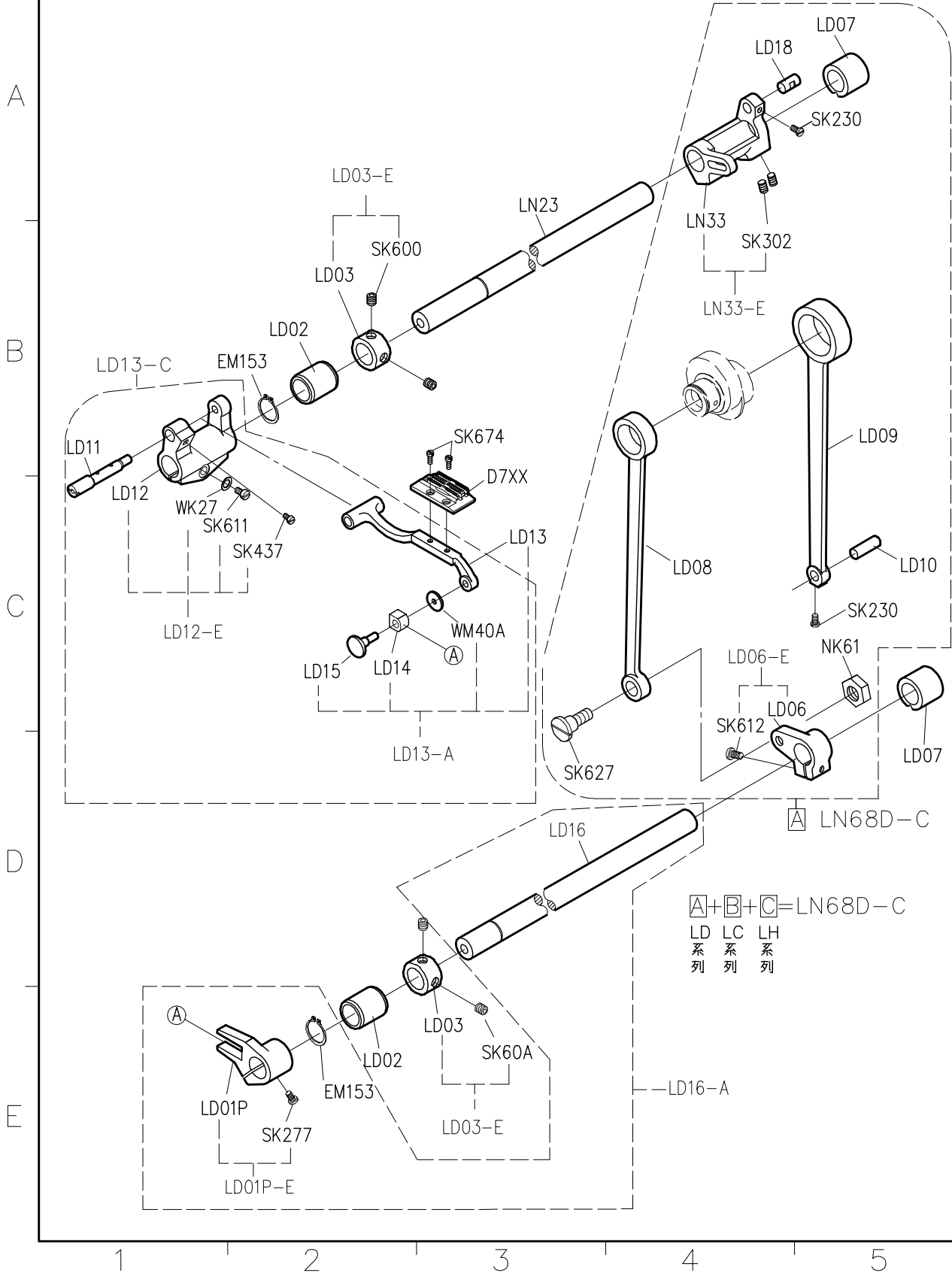




<b>SIRUBA</b> PARTS LIST	Series	Parts Group	Subclass / Remark	Page
	DL7000-NM1/NH1	<b>LC</b>		2/2
			Date	
			2013/09/13	

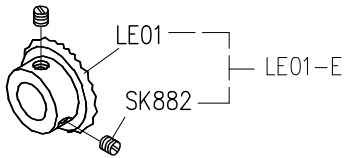


<b>SIRUBA</b> <b>PARTS LIST</b>	<b>Series</b>	<b>Parts Group</b>	<b>Subclass / Remark</b>	<b>Page</b>
	DL7000-NM1/NH1	<b>LD</b>		1/1
				<b>Date</b>
				2013/01/01

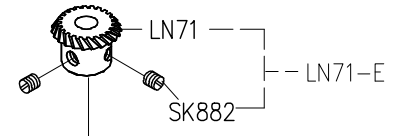


SIRUBA PARTS LIST	Series	Parts Group	Subclass / Remark	Page
	DL7000-NM1/NH1	LE	#:Use for NH1	1/1
				Date
				2013/01/01

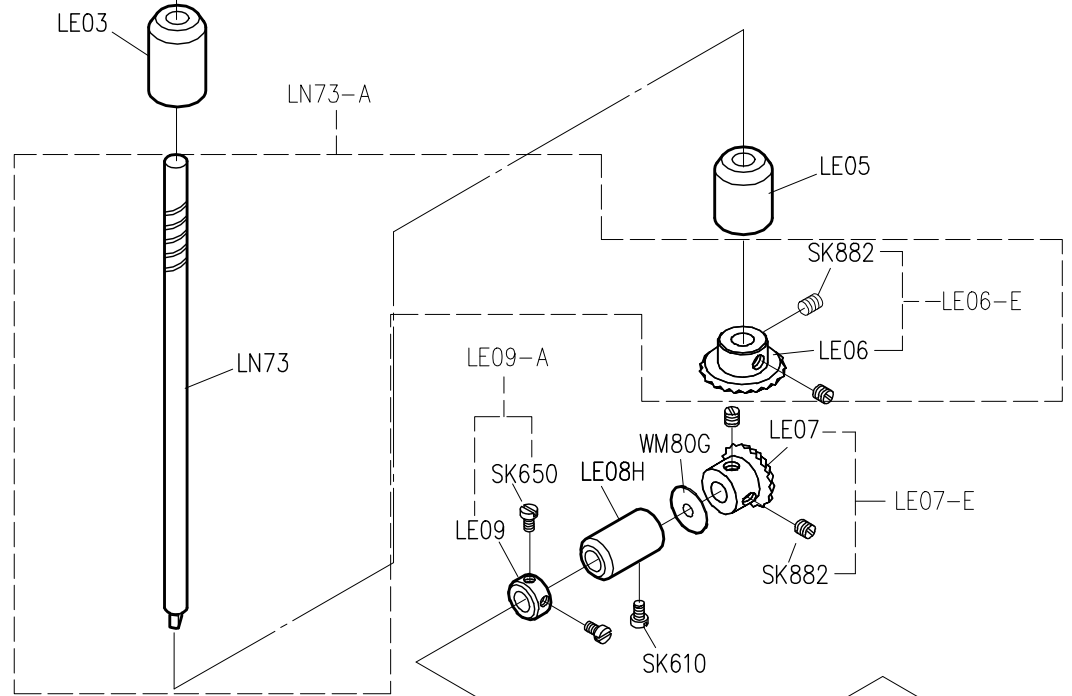
A



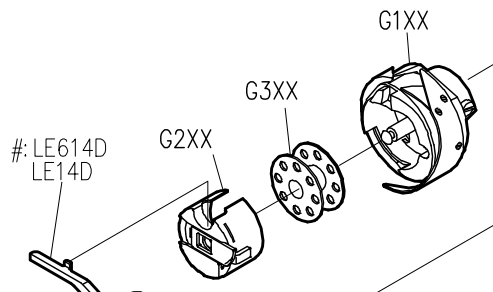
B



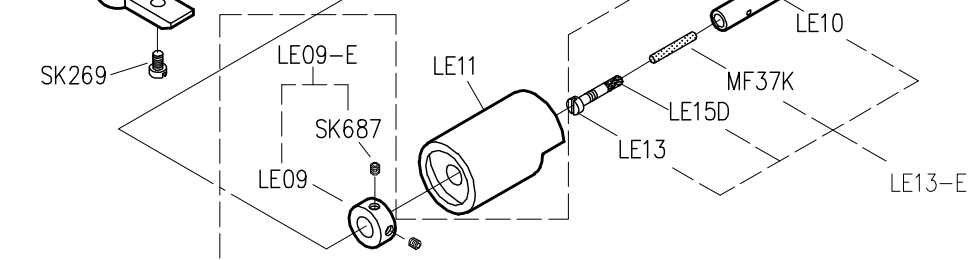
C



D

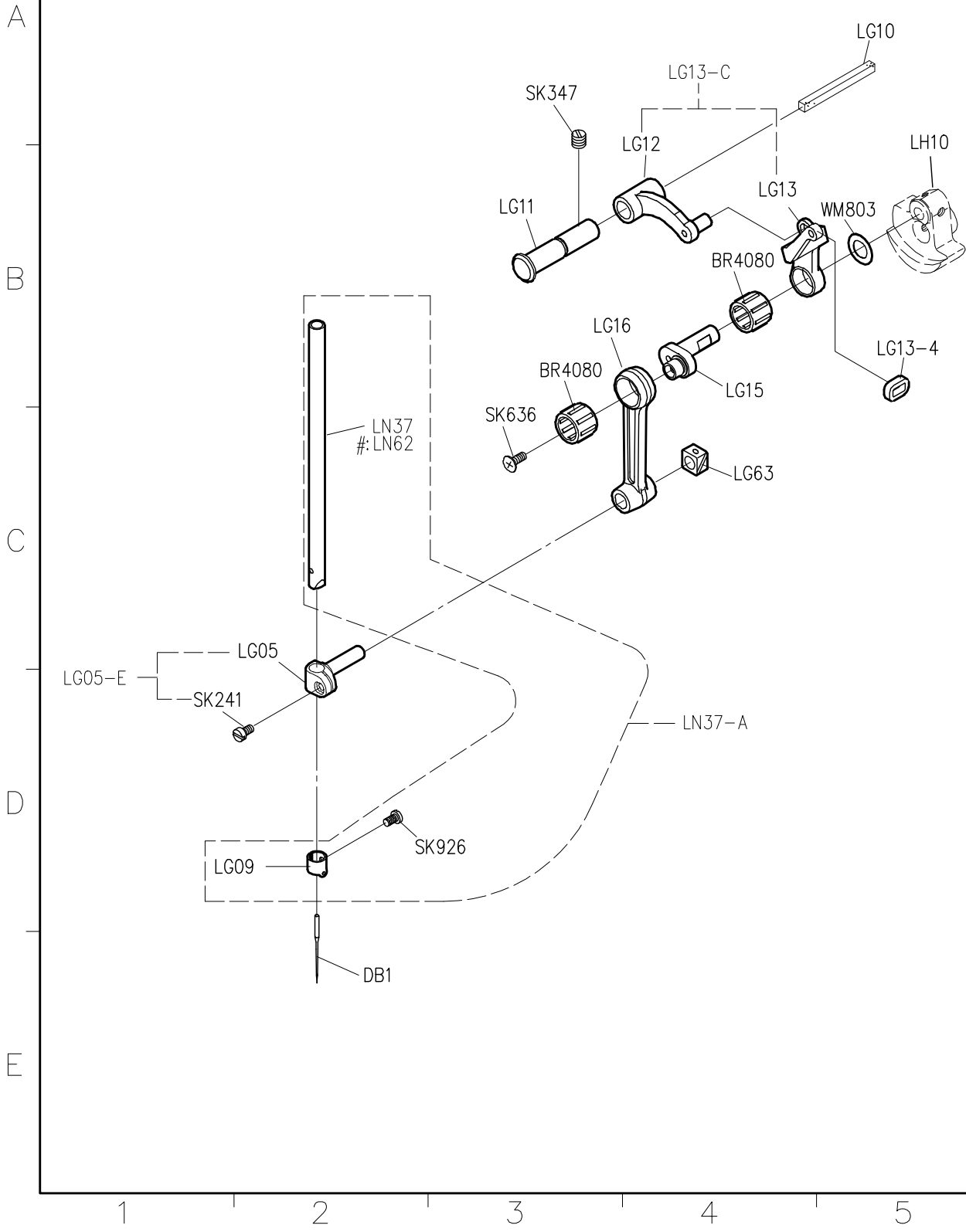


E

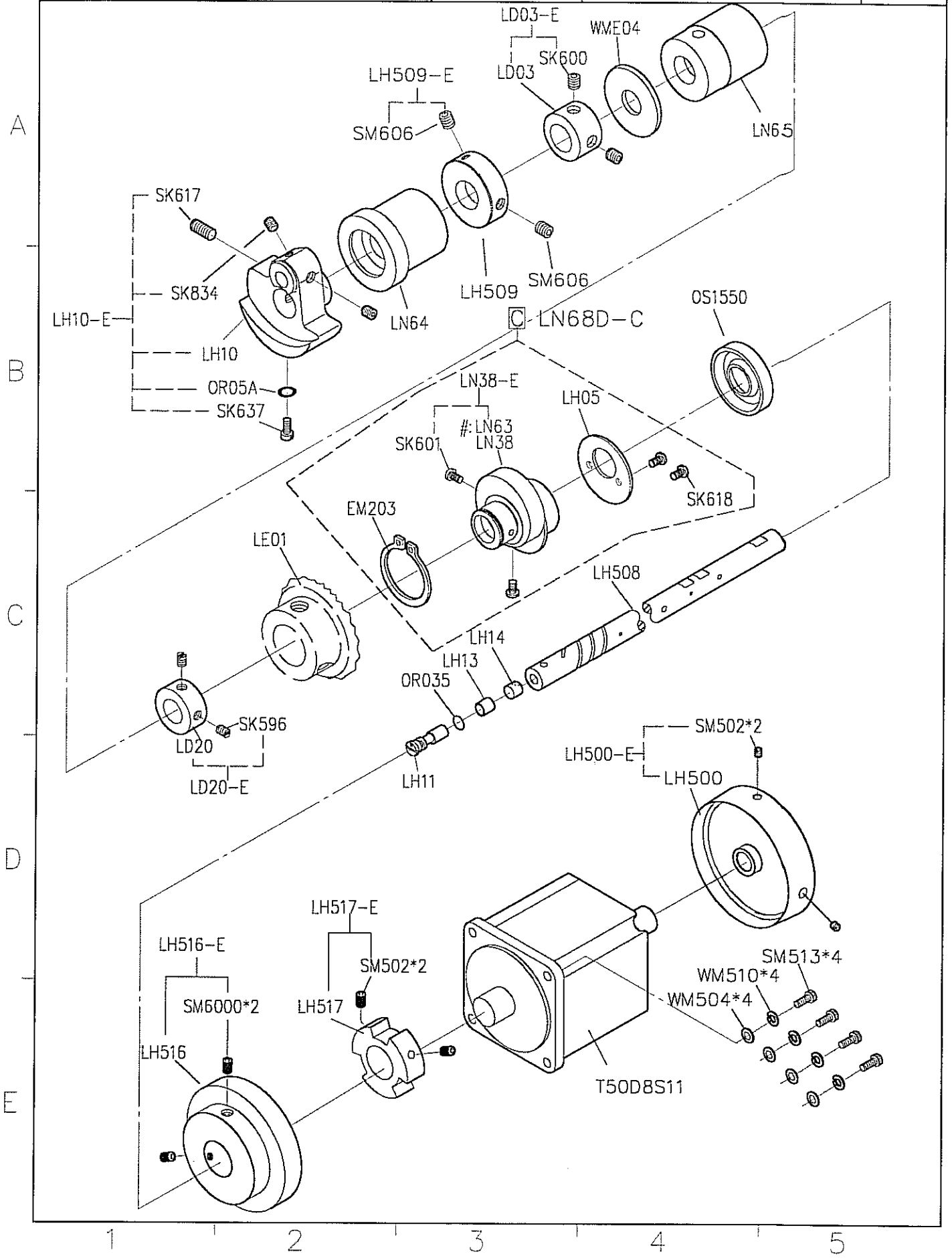


1 2 3 4 5

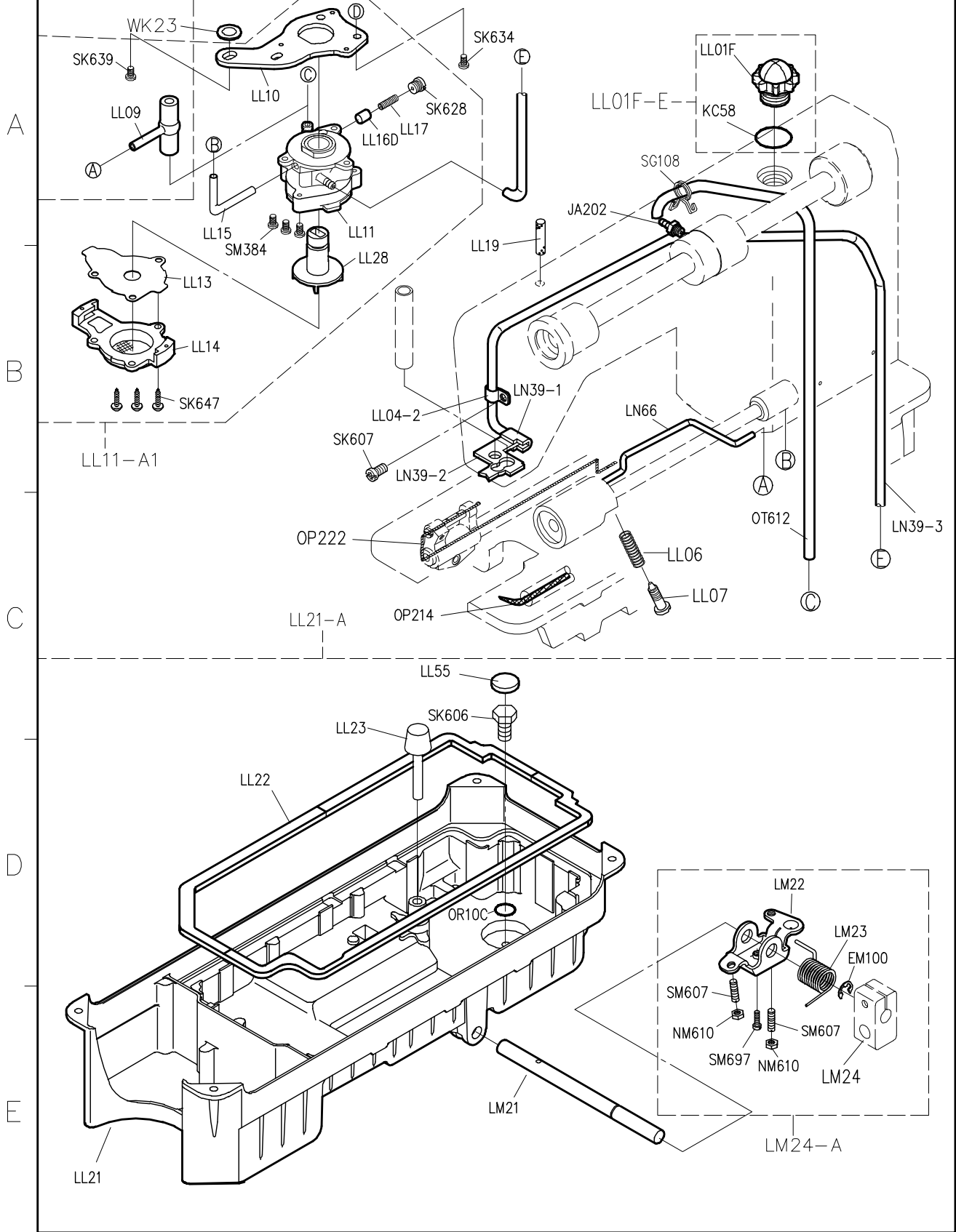
SIRUBA PARTS LIST	Series	Parts Group	Subclass / Remark	Page
	DL7000-NM1/NH1	LG	#:Use for NH1	1/1
				Date
				2013/01/01



SIRUBA PARTS LIST	Series	Parts Group	Subclass / Remark	Page
	DL7000-NM1/NH1	LH		1/1
				Date
				2014/03/21



<b>SIRUBA</b> <b>PARTS LIST</b>	<b>Series</b>	<b>Parts Group</b>	<b>Subclass / Remark</b>	<b>Page</b>
	DL7000-NM1/NH1	LL		1/1
				<b>Date</b>
				2013/01/01

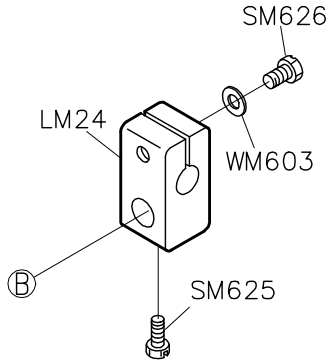
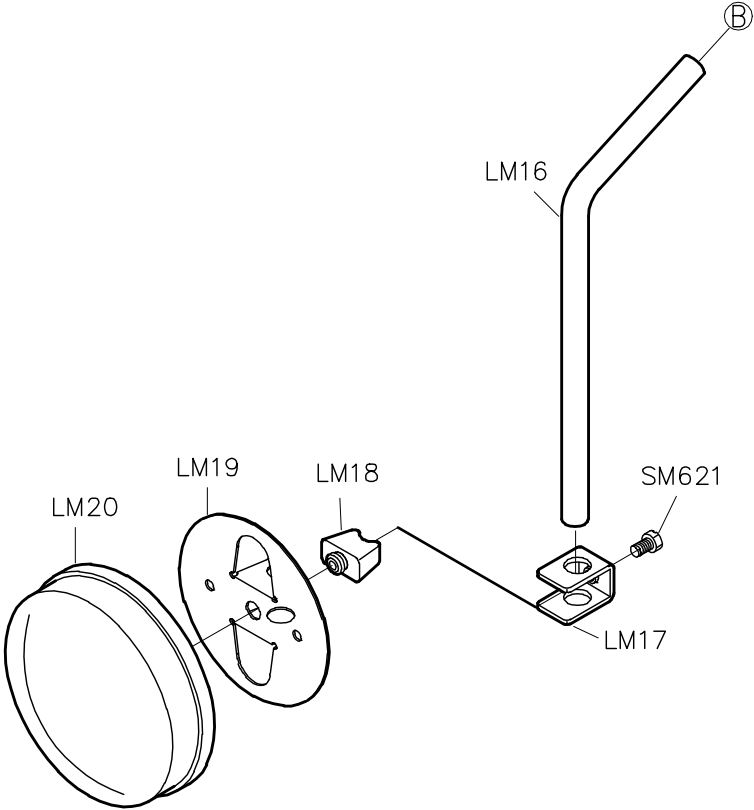


<b>SIRUBA</b> <b>PARTS LIST</b>	<b>Series</b>	<b>Parts Group</b>	<b>Subclass / Remark</b>	<b>Page</b>
	<b>DL7000-NM1/NH1</b>	<b>LM</b>		1/1
				<b>Date</b>
				<b>2013/01/01</b>

LM20-A

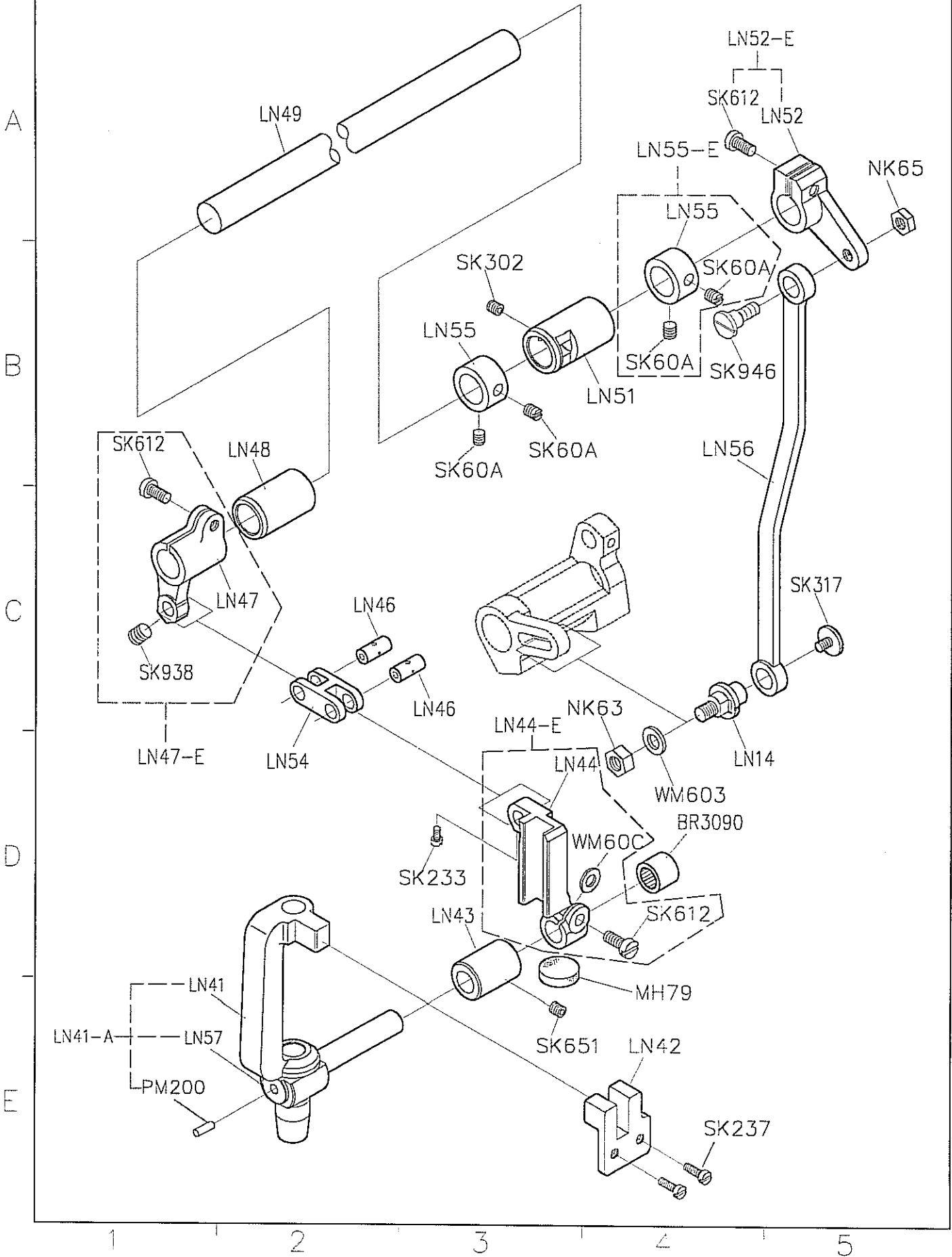
LM24-E

A  
B  
C  
D  
E



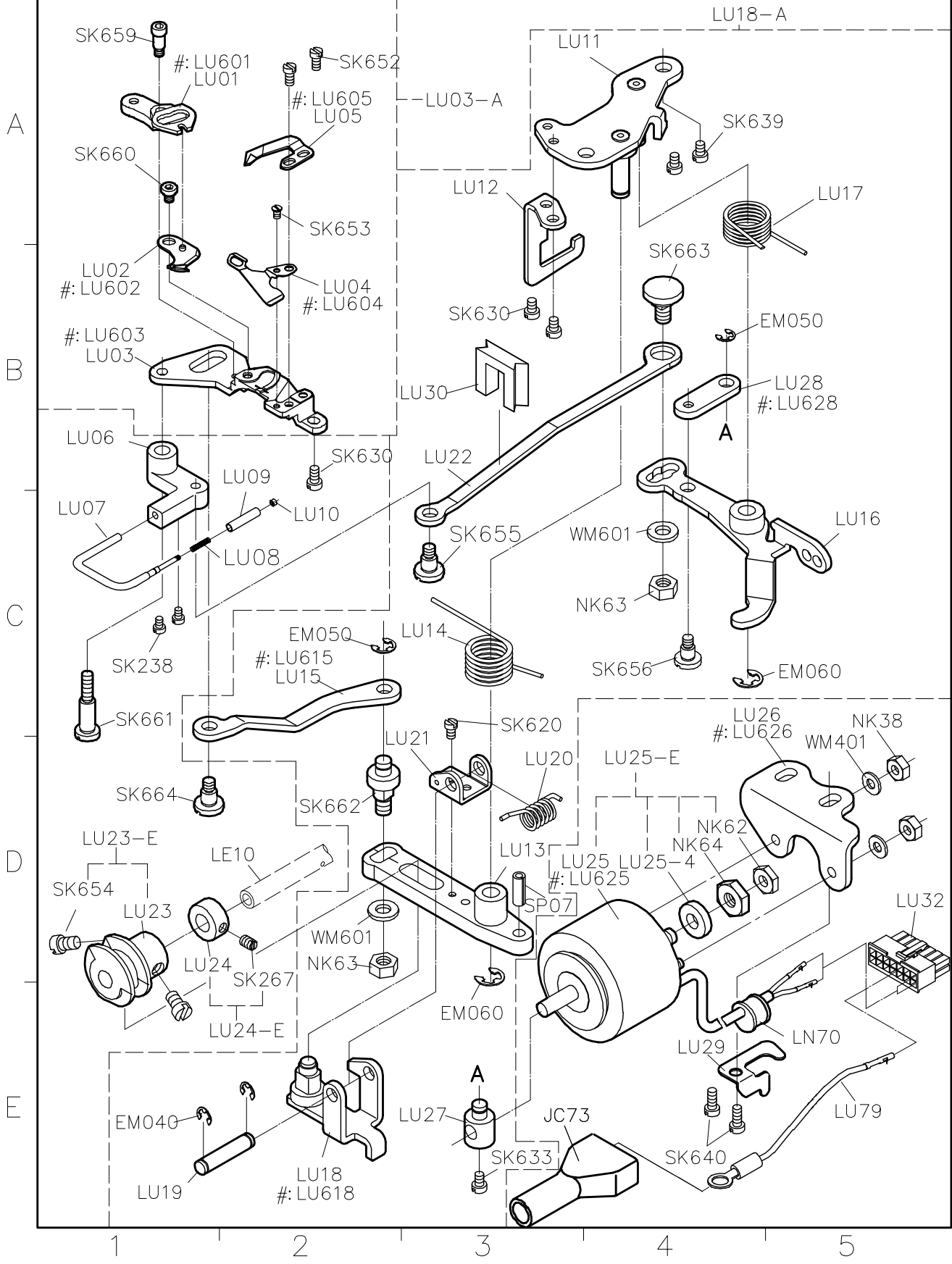
1                      2                      3                      4                      5

SIRUBA PARTS LIST	Series	Parts Group	Subclass / Remark	Page
	DL7000-NM1/NH1	LN		1/1
				Date
				2013/08/02

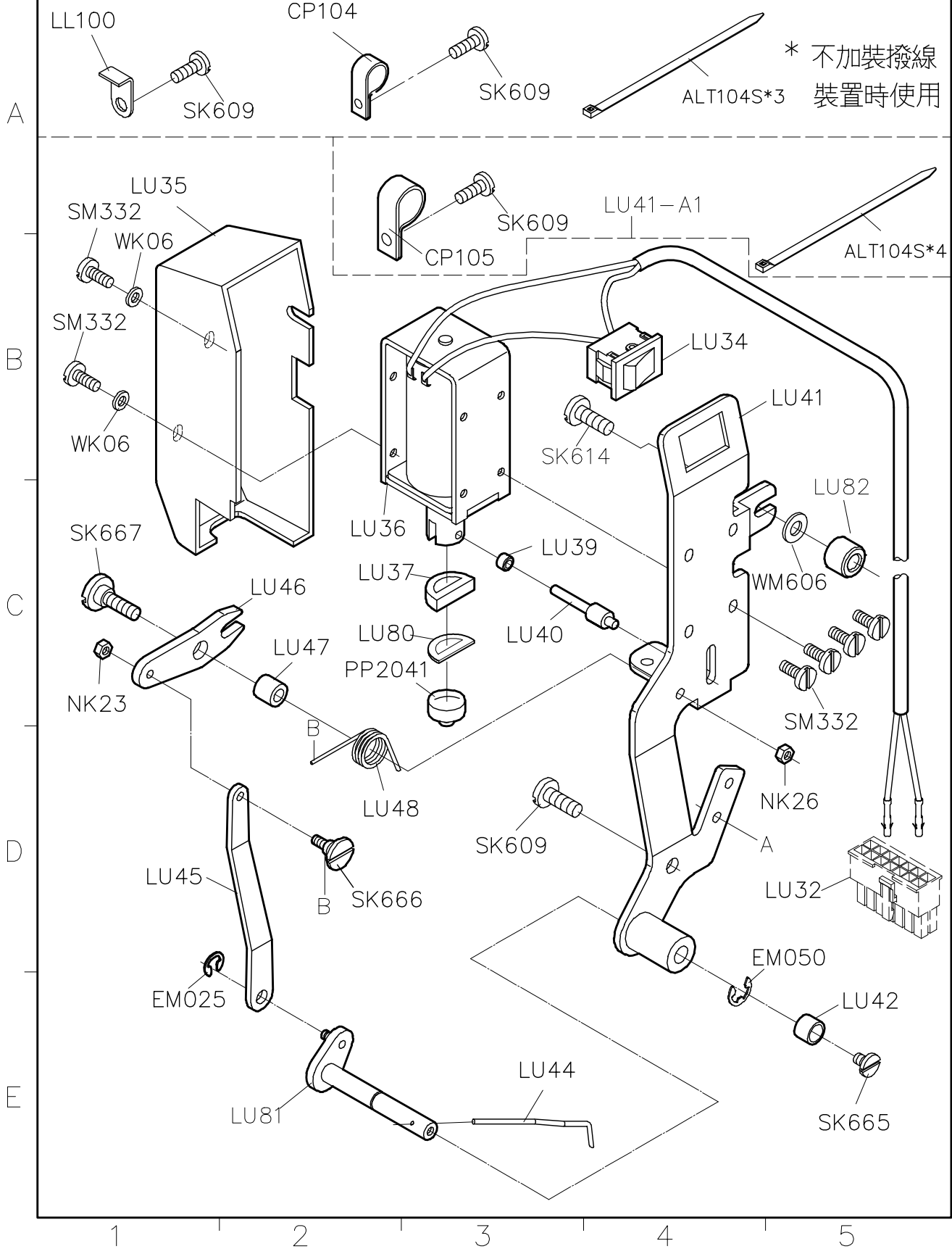




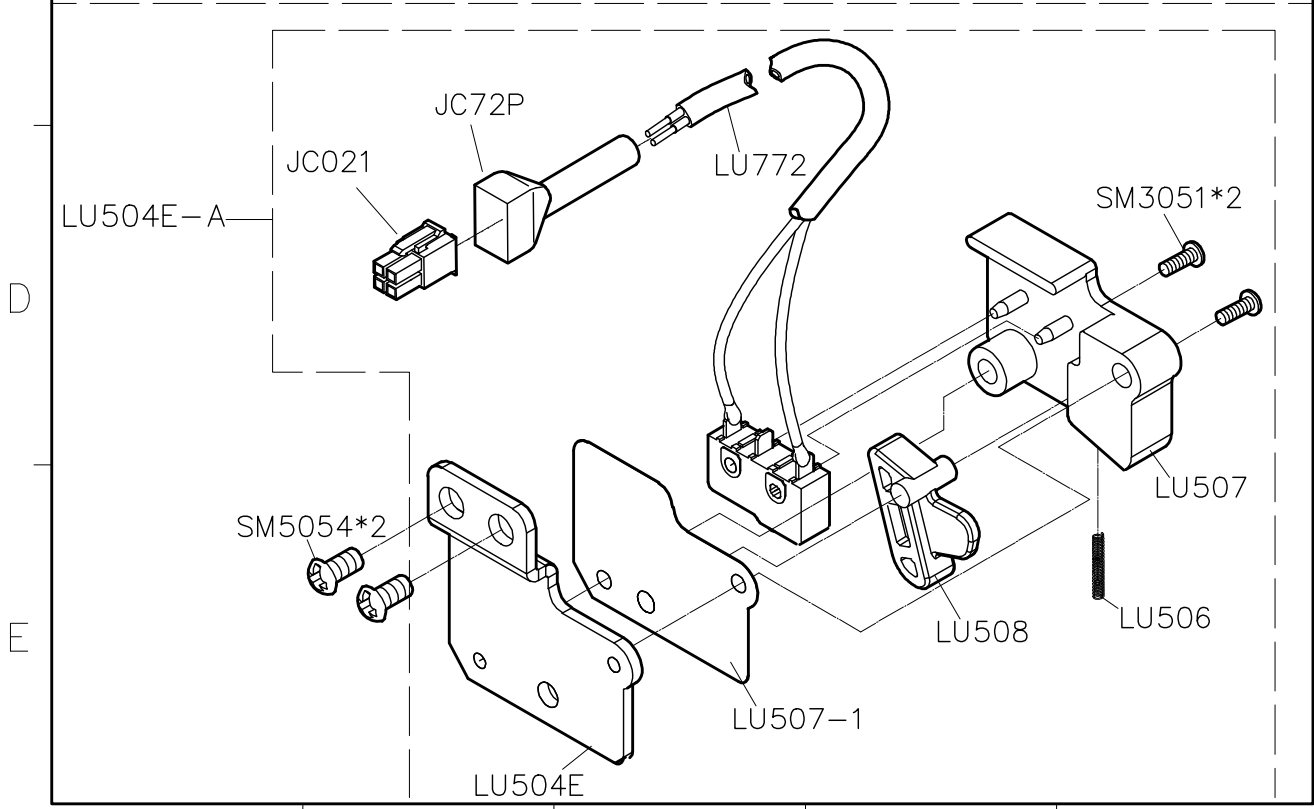
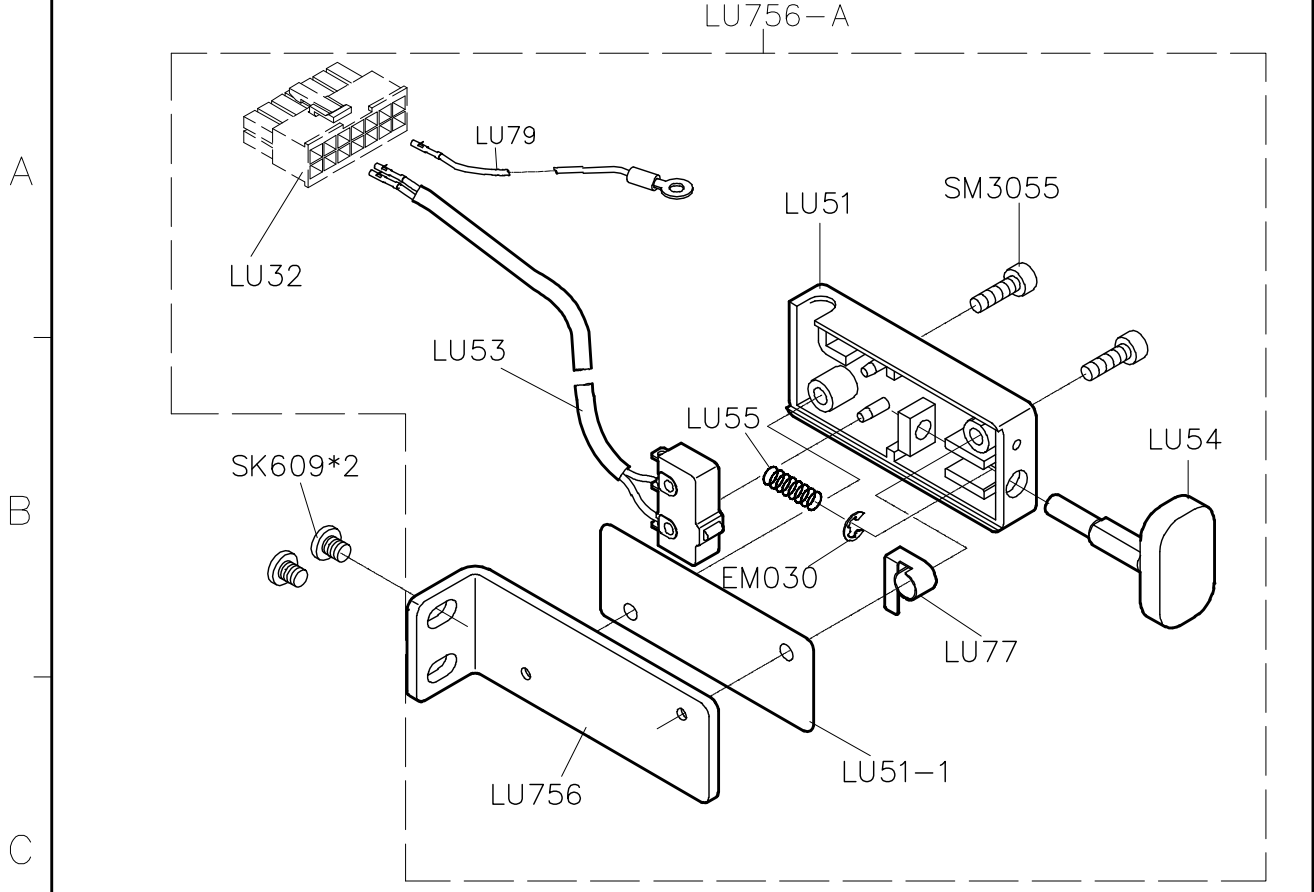
<b>SIRUBA</b> <b>PARTS LIST</b>	<b>Series</b>	<b>Parts Group</b>	<b>Subclass / Remark</b>	<b>Page</b>
	DL7000-NM1/NH1	LU	#:Use for NH1	1/7
				<b>Date</b>
				2013/01/01



<b>SIRUBA</b> <b>PARTS LIST</b>	<b>Series</b>	<b>Parts Group</b>	<b>Subclass / Remark</b>	<b>Page</b>
	DL7000-NM1/NH1	<b>LU</b>		2/7
				<b>Date</b>
				2013/01/01



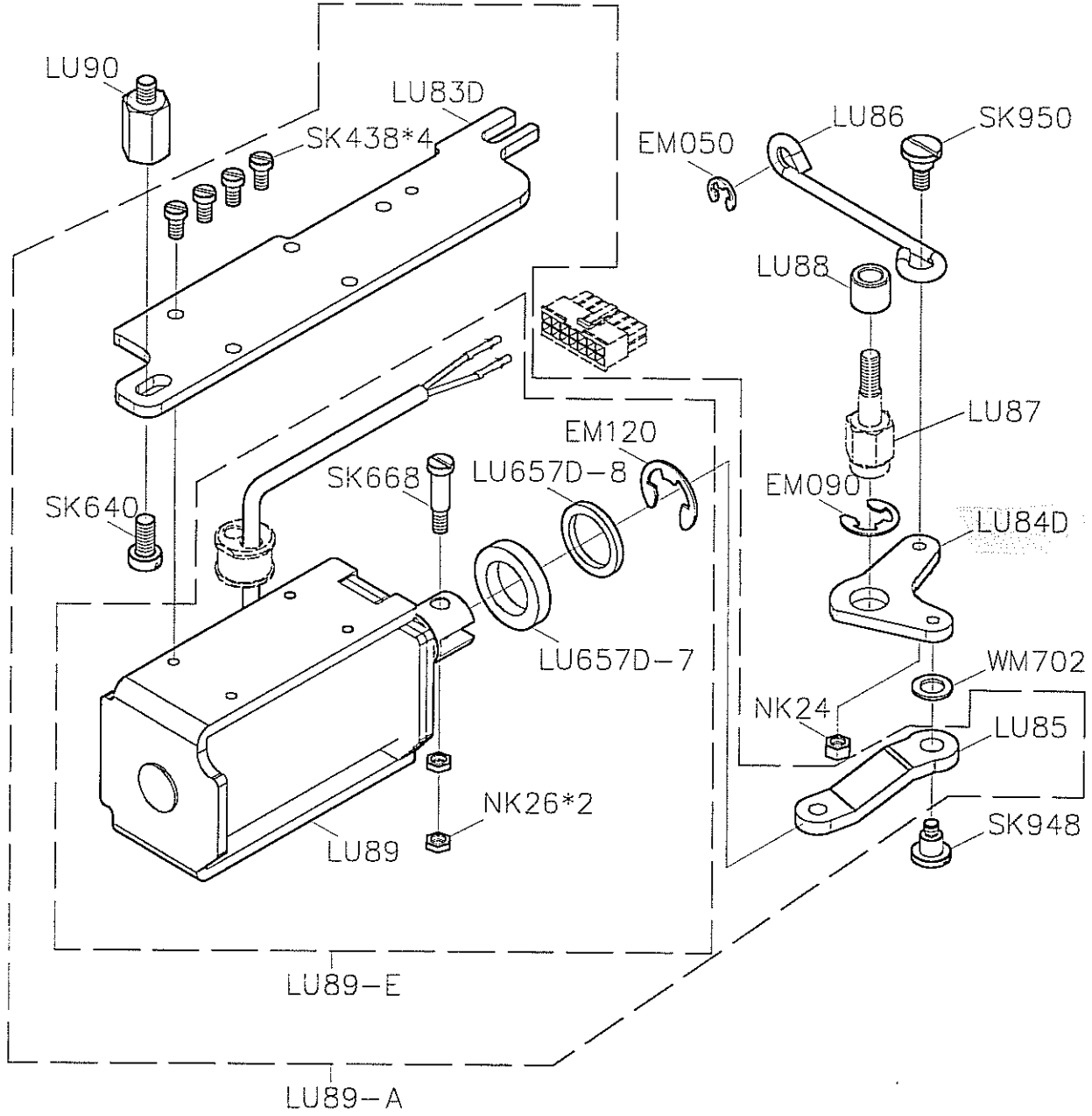
<b>SIRUBA</b> <b>PARTS LIST</b>	<b>Series</b>	<b>Parts Group</b>	<b>Subclass / Remark</b>	<b>Page</b>
	DL7000-NM1/NH1	<b>LU</b>		3/7
				<b>Date</b>
				2013/01/01



1                      2                      3                      4                      5

<b>SIRUBA</b> PARTS LIST	Series	Parts Group	Subclass / Remark	Page
	DL7000-NM1/NH1	<b>LU</b>		4/7
				Date
				2013/09/02

A  
B  
C  
D  
E

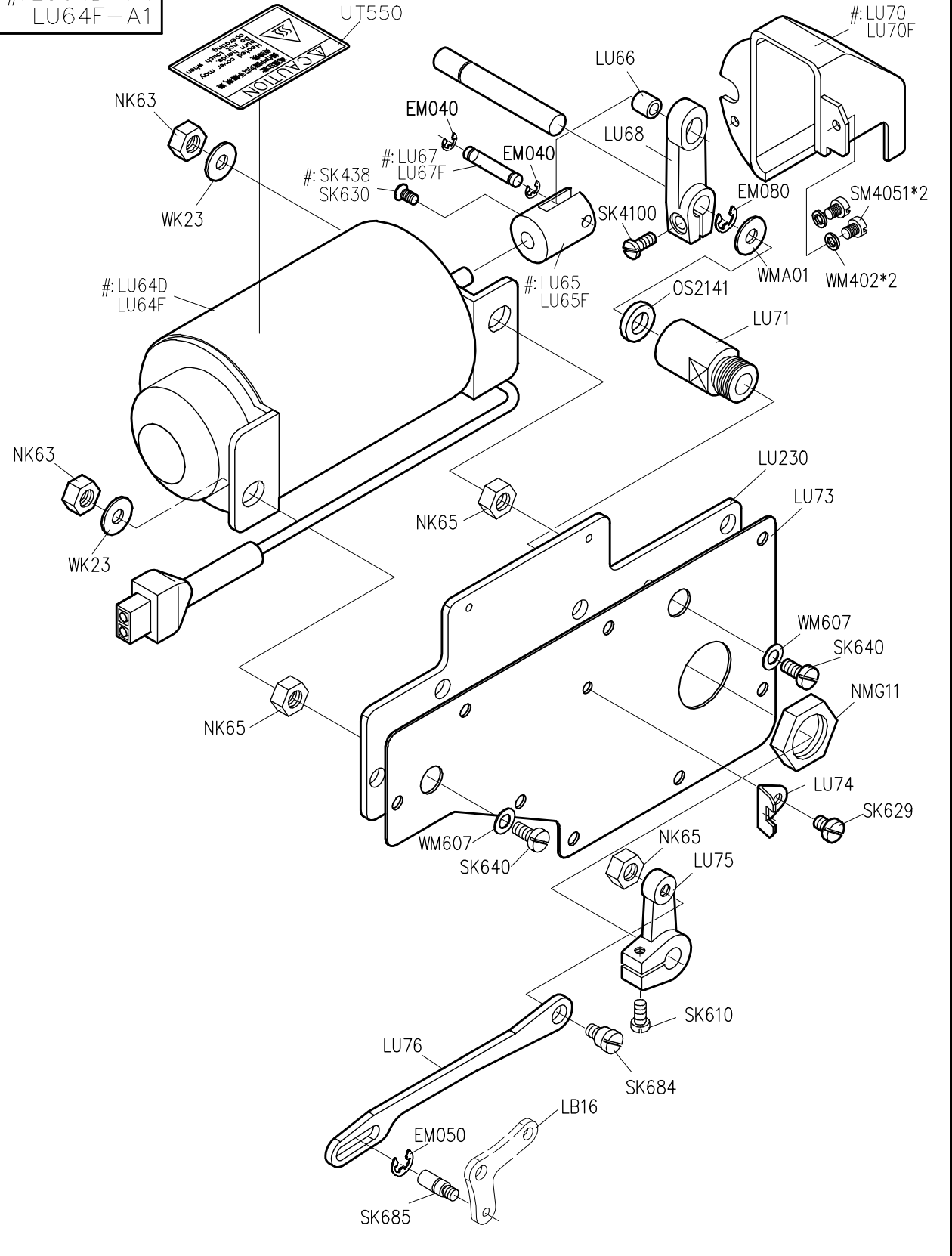


1 2 3 4 5

<b>SIRUBA</b> <b>PARTS LIST</b>	<b>Series</b>	<b>Parts Group</b>	<b>Subclass / Remark</b>	<b>Page</b>
	<b>DL7000-NM1/NH1</b>	<b>LU</b>	#:Use for NH1	<b>5/7</b>
				<b>Date</b>
				<b>2013/01/01</b>

#: LU64D-A1  
LU64F-A1

A  
B  
C  
D  
E

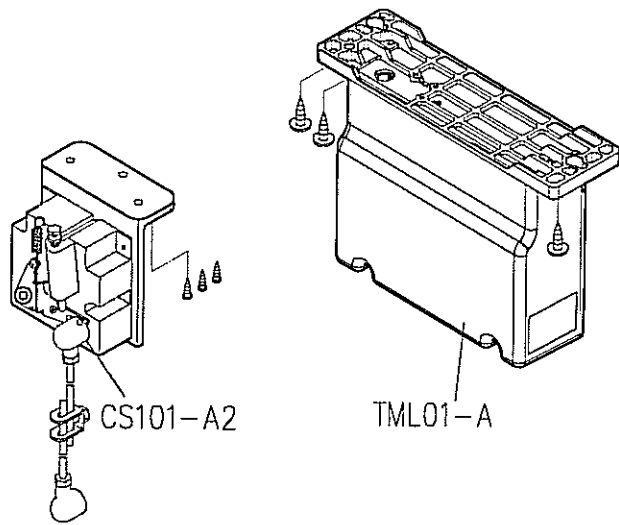


1 2 3 4 5

<b>SIRUBA</b> PARTS LIST	Series	Parts Group	Subclass / Remark	Page
	DL7000-NM1/NH1	LU		6/7
				Date
				2013/09/13

A

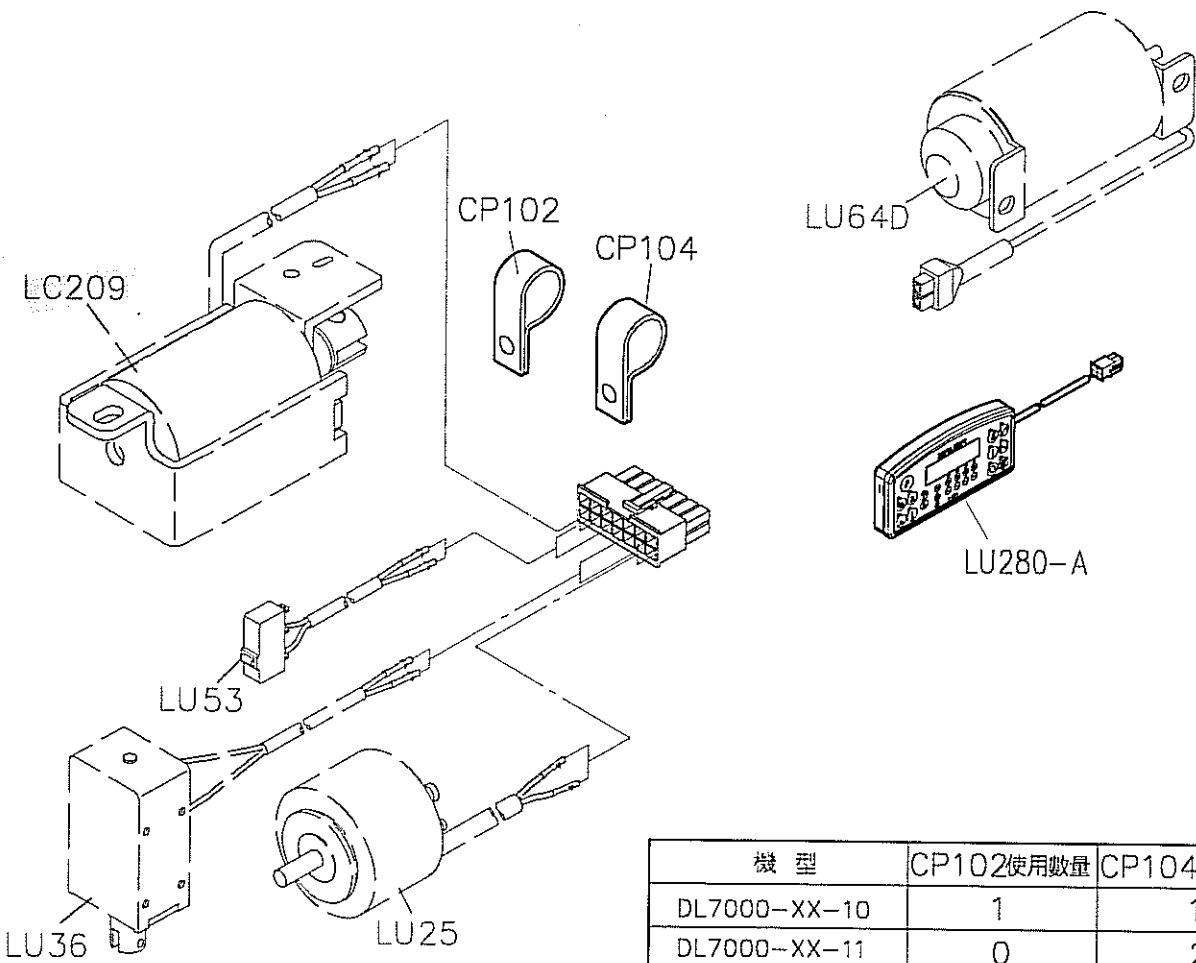
B



C

D

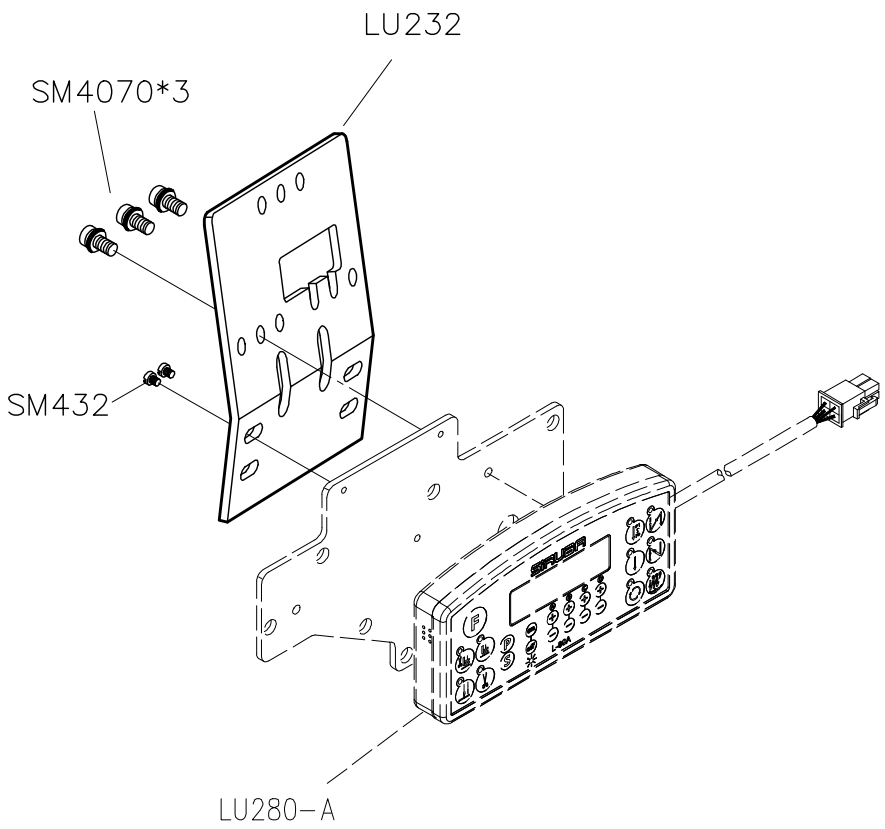
E



機 型	CP102使用数量	CP104使用数量
DL7000-XX-10	1	1
DL7000-XX-11	0	2
DL7000-XX-12	1	1
DL7000-XX-13	0	2

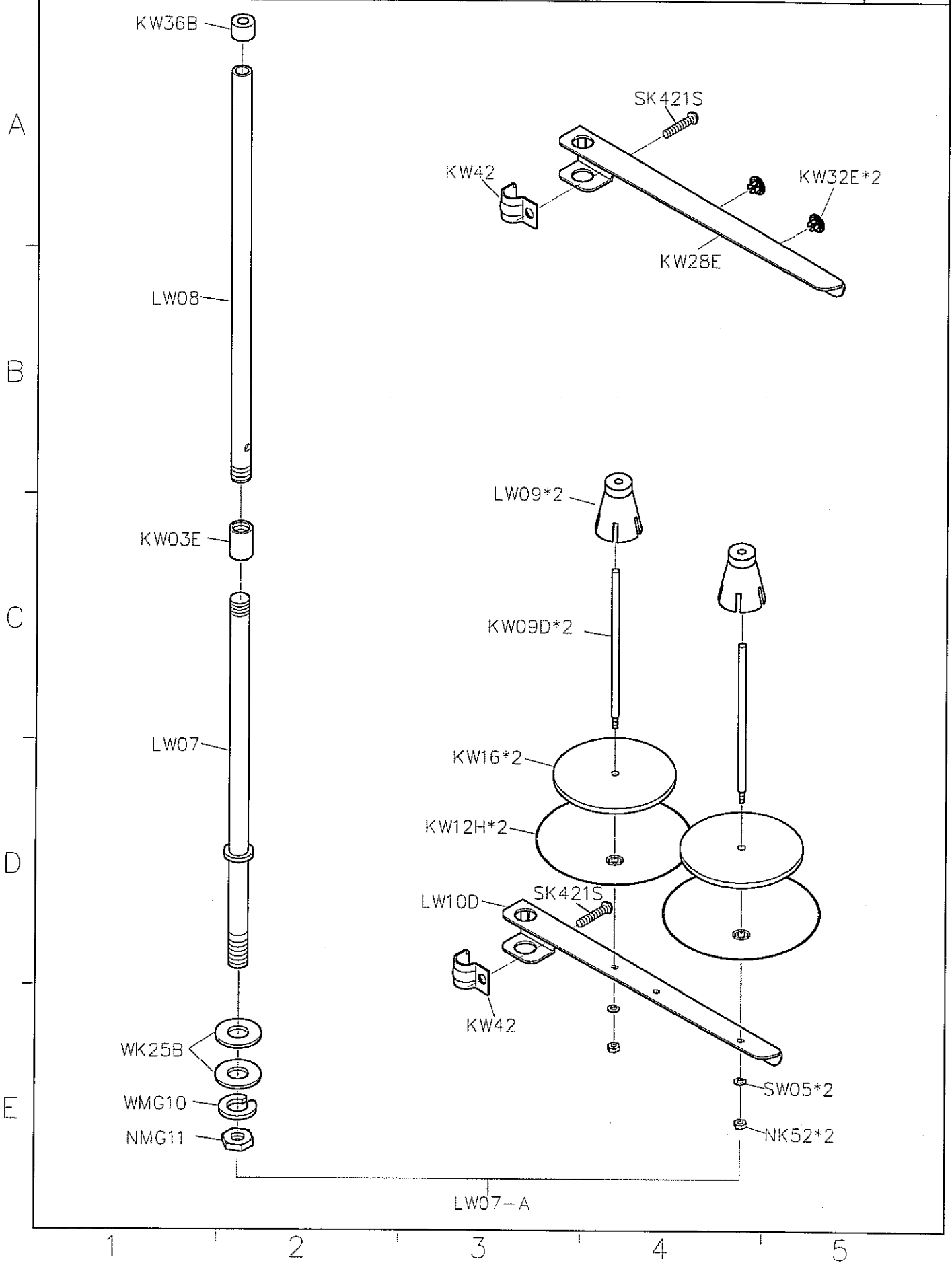
<b>SIRUBA</b> <b>PARTS LIST</b>	<b>Series</b>	<b>Parts Group</b>	<b>Subclass / Remark</b>	<b>Page</b>
	DL7000-NM1/NH1	<b>LU</b>		7/7
				<b>Date</b>
				2013/01/01

A  
B  
C  
D  
E



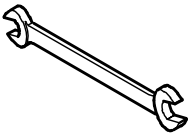

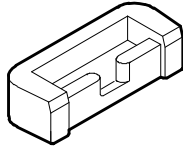
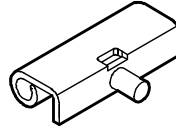




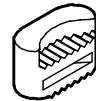


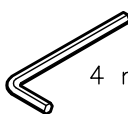
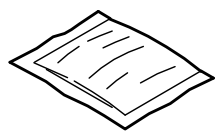
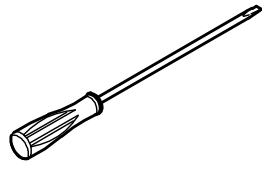
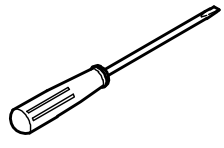
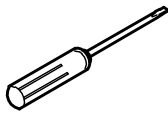

代碼 NO.	操作面板 Control Panel	代碼 NO.	自動切線 Auto THREAD Trimmer	快速倒縫 Reverse Feeding	撥線桿 Wiper	自動抬押具 Auto Lifer
0	-	0	v	v	-	-
		1	v	v	V	-
		2	v	v	-	v
		3	v	v	v	v
1	LU280-A	0	v	v	-	-
		1	v	v	V	-
		2	v	v	-	v
		3	v	v	v	v

SIRUBA PARTS LIST	Series	Parts Group	Subclass / Remark	Page
	DL7000-NM1/NH1	LW		1/1
				Date
				2012/04/10

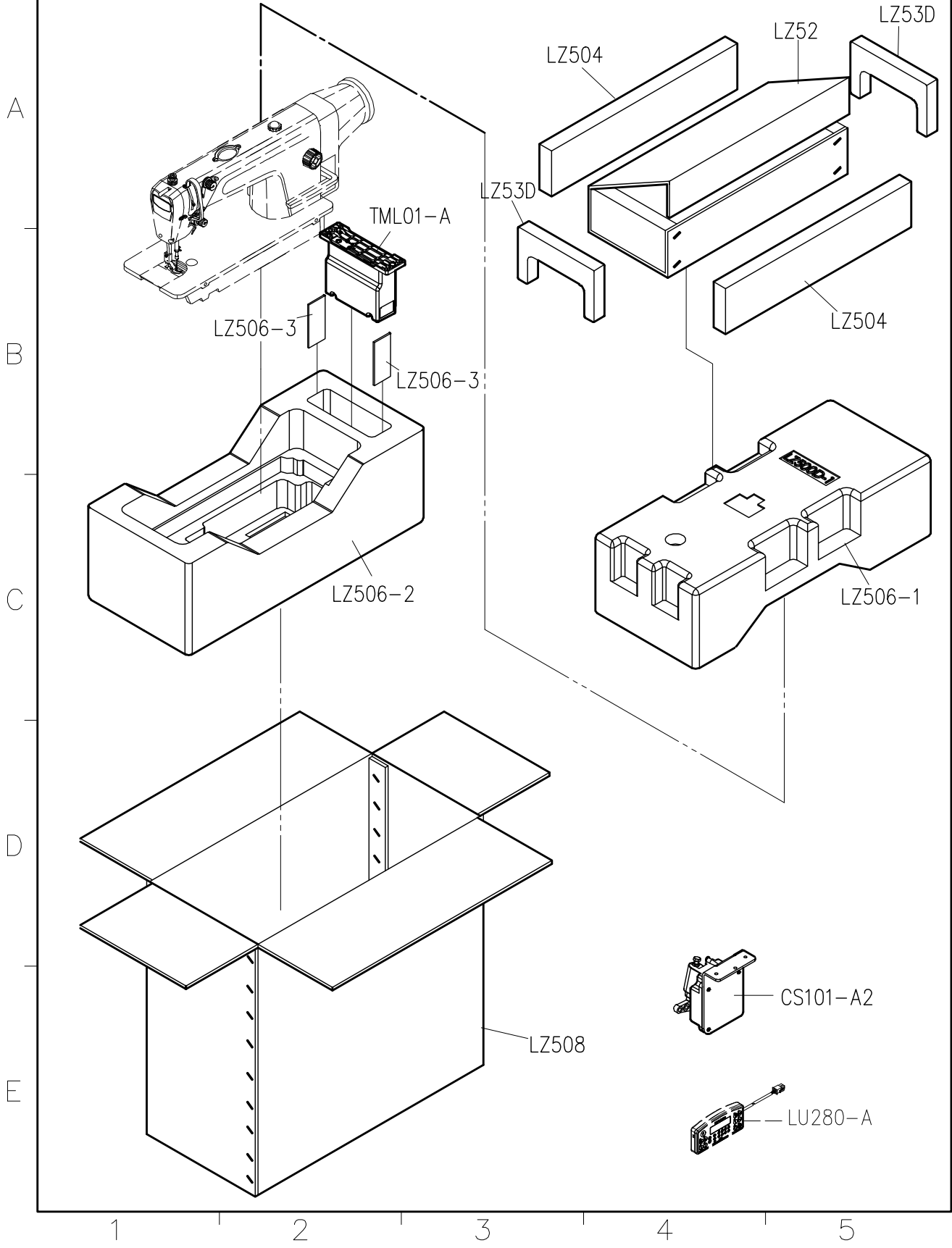




<b>SIRUBA</b> <b>PARTS LIST</b>	<b>Series</b>	<b>Parts Group</b>	<b>Subclass / Remark</b>	<b>Page</b>
	DL7000-NM1/NH1	LY		1/1
				<b>Date</b>
				2013/01/09

	LY01	LY02	YM04*2	LY05*2	YM102*2
A					
B		G3XX	LY502K	LY37-A	YM103*2
B					
C	針*2	LY38	MY12	KZ03*1	
C					
D	LY33	LY34	LY35	KY201	
D					
E					
	1	2	3	4	5

<b>SIRUBA</b> <b>PARTS LIST</b>	<b>Series</b>	<b>Parts Group</b>	<b>Subclass / Remark</b>	<b>Page</b>
	DL7000-NM1/NH1	<b>LZ</b>		1/1
				<b>Date</b>
				2013/01/01



**SIRUBA**

TABLE  
CUT - OUT

Series

DL7000

Item Code

DL7000T-T1

Subclass / Remark

Mounting

Fully-submerged

Date

2013/03/10

單針高速直驅式平縫下乘式車板圖  
TABLE CUT-OUT SEMI-SUBMERGED  
單位/UNIT: mm  
所有尺寸公差/DIFFERENCE: ±2  
DL7000T-T1-1070 長度(L): 1070 / 重量: 10kg±5%  
DL7000T-T1 長度(L): 1200 / 重量: 11.4kg±5%  
全封邊灰格紋光塑面台板

